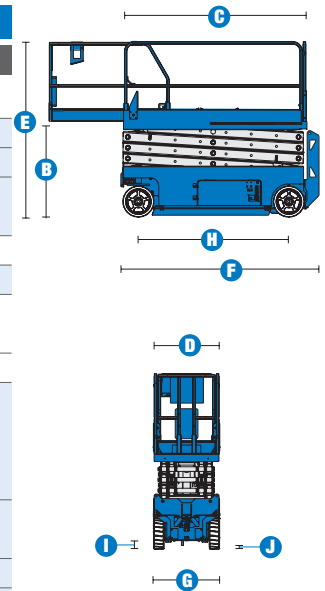
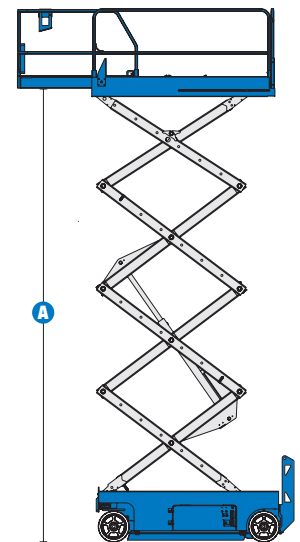


# Specifications

MODELS	GS™-2032		GS™-2632		GS™-3232	
	Metric	US	Metric	US	Metric	US
Working height maximum*	8.10 m	26 ft	9.92 m	32 ft	11.75 m	38 ft
<b>A</b> Platform height maximum	6.10 m	20 ft	7.92 m	26 ft	9.75 m	32 ft
<b>B</b> Platform height stowed	1.03 m	3 ft 4.5 in	1.16 m	3 ft 9.5 in	1.29 m	4 ft 2.75 in
<b>C</b> Platform length - outside	2.26 m	7 ft 5 in	2.26 m	7 ft 5 in	2.26 m	7 ft 5 in
extended	3.18 m	10 ft 5 in	3.18 m	10 ft 5 in	3.18 m	10 ft 5 in
Slide-out platform extension deck	91 cm	3 ft	91 cm	3 ft	91 cm	3 ft
<b>D</b> Platform width - outside	81 cm	2 ft 8 in	81 cm	2 ft 8 in	81 cm	2 ft 8 in
Guardrail height: Rigid Rail	99 cm	3 ft 3 in	—	—	—	—
Fold Down Rail	1.10 m	3 ft 7 in	1.10 m	3 ft 7 in	1.10 m	3 ft 7 in
Toeboard height	15 cm	6 in	15 cm	6 in	15 cm	6 in
<b>E</b> Height - stowed						
fixed rails	2.13 m	7 ft	—	—	—	—
folding guardrails	2.13 m	7 ft	2.26 m	7 ft 5 in	2.44 m	8 ft
rails folded	1.75 m	5 ft 9 in	1.91 m	6 ft 3 in	2.03 m	6 ft 8 in
<b>F</b> Length - stowed	2.44 m	8 ft	2.44 m	8 ft	2.44 m	8 ft
Length - extended	3.33 m	10 ft 11 in	3.33 m	10 ft 11 in	3.33 m	10 ft 11 in
<b>G</b> Width	81 cm	2 ft 8 in	81 cm	2 ft 8 in	81 cm	2 ft 8 in
<b>H</b> Wheelbase	1.85 m	6 ft 1 in	1.85 m	6 ft 1 in	1.85 m	6 ft 1 in
<b>I</b> Ground clearance - centre	9 cm	3.5 in	9 cm	3.5 in	9 cm	3.5 in
<b>J</b> - with pothole guards deployed	2 cm	.75 in	2 cm	.75 in	2 cm	.75 in



PRODUCTIVITY						
Max platform occupancy (indoor/outdoor)	2/1	2/1	2/-	2/-	2/-	2/-
Lift capacity	363 kg	800 lbs	227 kg	500 lbs	227 kg	500 lbs
Drive height	full height		full height		6.71 m	22 ft
Drive speed - stowed	3.5 km/h	2.2 mph	3.5 km/h	2.2 mph	3.5 km/h	2.2 mph
Drive speed - raised	0.8 km/h	0.5 mph	0.8 km/h	0.5 mph	0.8 km/h	0.5 mph
Gradeability - stowed**	30%		25%		25%	
Max outrigger levelling: front to back	-	-	-	-	3°	
side to side	-	-	-	-	5°	
Turning radius - inside	zero	zero	zero	zero	zero	zero
Turning radius - outside	2.13 m	7 ft	2.13 m	7 ft	2.13 m	7 ft
Raise / lower speed	30 / 34 sec	30 / 34 sec	30 / 40 sec	30 / 40 sec	57 / 40 sec	57 / 40 sec
Controls	proportional		proportional		proportional	
Drive	dual front wheel		dual front wheel		dual front wheel	
Multiple disc brakes	dual rear wheel		dual rear wheel		dual rear wheel	
Tyres - solid non-marking	38 x 13 x 28 cm	15 x 5 x 11 in	38 x 13 x 28 cm	15 x 5 x 11 in	38 x 13 x 28 cm	15 x 5 x 11 in



POWER						
Power source	24 V DC (four 6V 225 Ah batteries)		24 V DC (four 6V 225 Ah batteries)		24 V DC (four 6V 225 Ah batteries)	
Hydraulic system capacity	14.2 L	3.75 gal	14.2 L	3.75 gal	14.2 L	3.75 gal

WEIGHT***						
	1,825 kg	4,024 lbs	1,956 kg	4,313 lbs	2,352 kg	5,185 lbs

STANDARDS COMPLIANCE	CE EN280
----------------------	----------

\* The metric equivalent of working height adds 2 m to platform height. U.S. adds 6 ft to platform height.  
 \*\* Gradeability applies to driving on slopes. See operator's manual for details regarding slope ratings.  
 \*\*\* Weight will vary depending on options and/or country standards.

## Features

### STANDARD FEATURES

#### MEASUREMENTS

##### GS™-2032

- 8.10 m (26 ft) working height
- Up to 363 kg (800 lb) lift capacity

##### GS™-2632

- 9.92 m (32 ft) working height
- Up to 227 kg (500 lb) lift capacity

##### GS™-3232

- 11.75 m (38 ft) working height
- Up to 227 kg (500 lb) lift capacity

#### PRODUCTIVITY

- 2.26 x 81 cm (89 x 32 in) steel platform
- 91 cm (36 in) extension deck
- Folding rails with half-height swing gate
- Automatic levelling outriggers (GS™-3232 only)
- Dual front wheel drive
- Automatic battery charger
- Proportional lift and drive
- Platform control with battery charge indicator and diagnostic display
- Onboard diagnostic system
- AC power to platform
- Manual platform lowering valve
- Emergency stop at both platform and ground controls
- Multiple disc brakes
- Manual brake release
- Solid non-marking tyres
- Pothole guards
- Tilt level sensor with audible alarm
- Descent alarm
- Electronic horn
- Hour meter
- Certified load sensor

#### POWER

- 24 V DC (four 6 V 225 Ah batteries)

### OPTIONS & ACCESSORIES

#### PRODUCTIVITY

- Air line to platform
- Biodegradable hydraulic oil
- Dual flashing beacons
- Motion package
- Platform work lights
- Automotive horn
- Laser locator (GS-3232)

#### POWER

- Power inverter
- Maintenance-free batteries



**Distributed By:**

#### UK

Millennium House  
Brunel Drive  
Newark NG24 2DE  
UK  
Tel: +44 (0)1476 584333  
Fax: +44 (0)1476 584334

#### France

10, ZA de la Croix St. Mathieu  
28320 Gallardon  
France  
Tel: +33 (0)2 37 26 09 99  
Fax: +33 (0)2 37 26 09 98

#### Germany

Finienweg 3  
28832 Achim/Bremen  
Germany  
Tel: +49 (0)4202 8852-0  
Fax: +49 (0)4202 8852-25

#### Spain

Gaià 31, Pol. Ind. Plá d'en Coll  
08110 Montcada i Reixac  
Barcelona  
Spain  
Tel: +34 93 572 50 90  
Fax: +34 93 572 50 91

#### Scandinavia

Importgatan 17  
422 46 Hisings Backa  
Sweden  
Tel: +46 31 57 51 00  
Fax: +46 31 57 90 20

#### Middle East

Terex Middle East  
PO Box 282325, Dubai  
U.A.E.  
Tel: +971 4 885 8030  
Fax: +971 4 885 6364  
Email: awp.infome@terex.com

#### Genie United States

18340 NE 76th Street  
P.O. Box 97030  
Redmond, WA  
USA 98073-9730  
Tel: +1 425 881-1800  
Fax: +1 425 883-3475

**Email:** AWP-InfoEurope@terex.com